



TruFlo™ AC Air Flow Switch

Features & Benefits

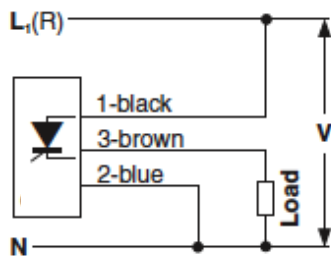
- Compact air flow switch with rugged Stainless Steel or plastic Ultradur construction
- High accuracy with NO moving parts
- Available in 110 VAC or 220 VAC power supply
- Set-point adjustable between 3 fps and 32 fps
- Temperature independent
- Easy installation with mounting flange (included)

TruFlo Description

This industrial purpose flow switch is a great choice for monitoring a variety of air or gaseous applications. TruFlo features solid-state switching and is extremely reliable even under the harshest environmental conditions. TruFlo features a repeatable alarm, an adjustable set-point from 3 to 32 feet per second, and LED indication of flow. The short housing is intended for use in pipe sizes ½” to 1 ½” in diameter and the long housing is recommended for pipe sizes 2” and up. Typical applications include air conditioning, ventilation, air filter monitoring, extraction fans, blowers, damper regulators and energy conservation systems.

Connection Diagram

Thyristor output



AC



TNC



TNO

TNC: Thyristor Normally Closed

TNO: Thyristor Normally Open

Specifications



Service	Compatible Gasses
Switching Range	3 to 32 fps (1 to 10 mps)
Factory set-point	10 fps (3 mps)
Pressure	CFTF-_-U: 15 psi (1 bar) CFTF-_-S: 150 psi (10 bar)
Hysteresis	≤ 30%
Switching Delay	Min. 3 s/ Max. 100 s (depends on set-point adjustment)
Temperature Drift	< 0.5% / K
Supply Voltage	CFTF-1: 110 VAC CFTF-2: 220 VAC
Voltage Tolerance	± 10%
Switching Current	200 mA max.
Repeatability	< 3%
Consumption	Approx. 1W
Starting Override Time	Max. 90 s
Output	Thyristor Normally Open (closed with flow), Thyristor Normally Closed (open with flow)
Display	LED for ON or OFF state
Process Temperature	F: -4° to 160° C: -20° to 70°
Ambient Temperature	F: -4° to 160° C: -20° to 70°
Enclosure Rating	NEMA 4 (IP64)
Housing Material	Ultradur (PBTP) or Stainless Steel
Sensor Material	Ceramic with Over Glaze
Weight	CFTF-_-U: 0.3 lbs (130 g) CFTF-_-S: 0.4 lbs (200 g) without nut
Cable	
Cable Jacket Material	Oilflex
Cable Length	6.5' (2m)

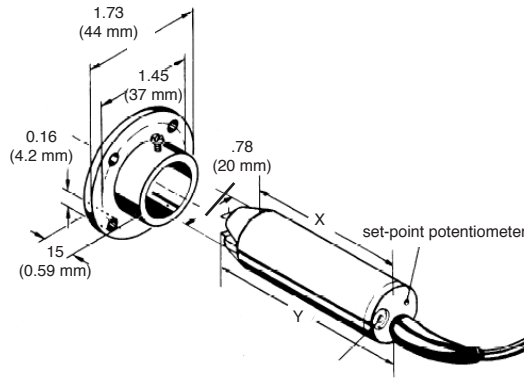
Note: Please Consult Factory for Special Requirements



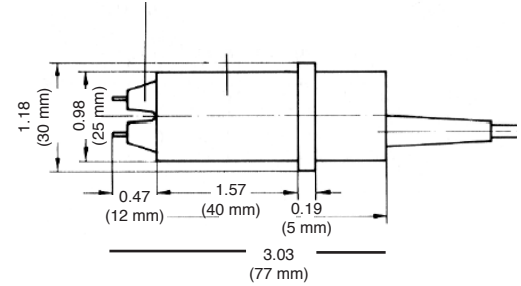
Dimensions In (mm)

Housing	X	Y
Short	2.5" (64 mm)	3.03" (77 mm)
Long	2.91" (74 mm)	3.42" (87 mm)

CFNF1-U: Ultradur (PBTP) Housing
(Installation with mounting flange)



CFNF1-S: Stainless Steel Housing
(Installation with union nut)



Ordering Information

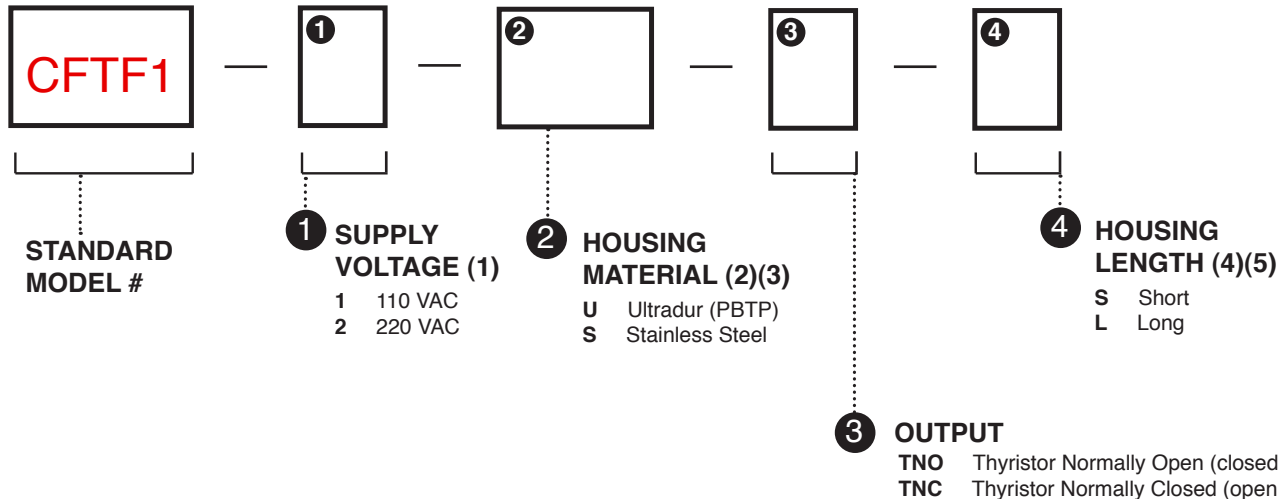
FLO-CORP MODEL NUMBER BUILDER

For Assistance Call **330.468.0180**

Use the diagram below, working from left to right to construct your Flo-Corp Model Number.

Simply match the category number to the corresponding box number.

Example: **CFTF1-1-U-TNO-S** TruFlo™ AC Flow Switch, 110 VAC Supply Voltage, Ultradur (PBTP) Housing, Thyristor Normally Open Output, Short Housing



Ordering Notes

- 1) Select the best configuration based on your requirements.
- 2) The Stainless Steel unit (CFTF-_-S) comes standard with NPT (US) threaded union nut for installation. To special order a BSP (Metric) threaded union nut, place BSP at the end of the P/N: (ie CFTF-1-S-TNO-S-BSP).
- 3) For additional mounting options, please contact factory.
- 4) Select the short housing for use with pipe sizes ½" to 1½" in diameter and the long housing for 2" and up.
- 5) Comes complete with 6.5' (2 m) pre-wired cable and manual.

Specifications are subject to change without notice.