



DigaCom™ 2000

Universal Process Display Data Sheet



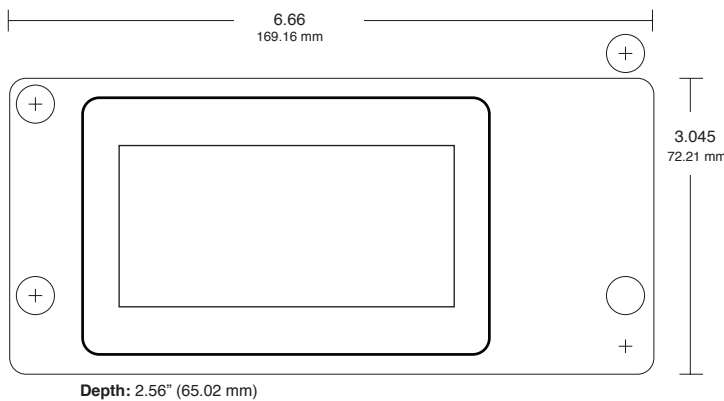
Description

DigaCom 2000 Universal Process Display is a field mount display that provides bright, 6-digit LED indication, internal DC power supply for transmitter power, 4-20mA repeat output and advanced communications. DigaCom features digital push button configuration, simple programming interface and Ethernet communication. This device is well suited for a variety of process applications. Typical applications include level monitoring, analytical measurements, distance monitoring, pressure monitoring, weight/volume monitoring, and temperature monitoring.

Features & Benefits

- Bright, 6-Digit LED Display
- Four Internal Push Buttons
- DigaLink™ PC Software Included with purchase of DigaCom™ 2000
- Rate Display
- Totalizer (DCX2T Model Only)
- Maximum Range Display
- Universal 90-265 VAC or 12-28 VDC
- RS-485 Serial Communication Port Modbus
- Ethernet Communication
- NEMA 4X Field Mount or NEMA 7 Explosion Proof Enclosure
- Transmitter DC Power
- 4-20 mA Repeater Output

Dimensions



DigaLink™ Software Interface

For optimal monitoring capabilities, download DigaLink innovative software available at flowlineoptions.com. DigaLink features a user-friendly PC interface, advanced data logging, real time monitoring and much more. With DigaLink you can easily monitor your device from practically anywhere!

Specifications

| | |
|------------------------------|---|
| Display Type | 6-digit, Red LED Display |
| Display Units | Engineering |
| Decimal Point | Up to 5 places |
| Display Output | -99999 to 999999 |
| Display Height | 0.6" (15 mm) |
| Status Indicators | (1) Totalizer, Yellow LED Relay (4) Red LED Relay Indicators |
| Over Range | Display flashes FULL and Max. Display Value |
| User Interface | 4 Internal Push Buttons or DigaLink™ PC Software Interface |
| Password | Programmable, restricts modification of settings |
| Operating Temperature | F: -40° to 149° C: -40° to 65° |
| Storage Temperature | F: -40° to 185° C: -40° to 85° |
| Relative Humidity | 0 to 90%, non-condensing |
| Accuracy | ± 0.1% of calibrated span ±1 count |
| Temperature Drift | 0.005% of calibrated span/°C max from 0 to 65°C ambient; 0.01% of calibrated span/°C max from -40 to 0° ambient |
| Supply Voltage | AC Model: 90-265 VAC @ 50-60 Hz, 15W Max. DC Model: 12-28 VDC @ 0.5A (Fuse protected via 0.5A slow blow) |
| Transmitter Power | 120 mA @ 24 VDC 24 VDC for AC powered units; For DC powered units, supply voltage equals the DC input voltage |
| Display Refresh Rate | One Per Second (1/s) |
| Analog Input | 4-20 mA current loop, 0-5 VDC, 1-5 VDC, 0-10 VDC |
| Analog Output | 4-20 mA current loop |
| Connection | Removable Screw Terminal; Accepts 12-22 AWG Wire |
| Enclosure Type | Field Mount |
| Enclosure Rating | NEMA 4X (IP65) or NEMA 7 |
| Enclosure Material | Polycarbonate |
| Classification | General Purpose |
| Communications | |
| Serial Port | RS-485, Screw Terminal ModBus® |
| Ethernet Port | 10/100 Base-T (RJ-45) |

Note: Please Consult Factory for Special Requirements



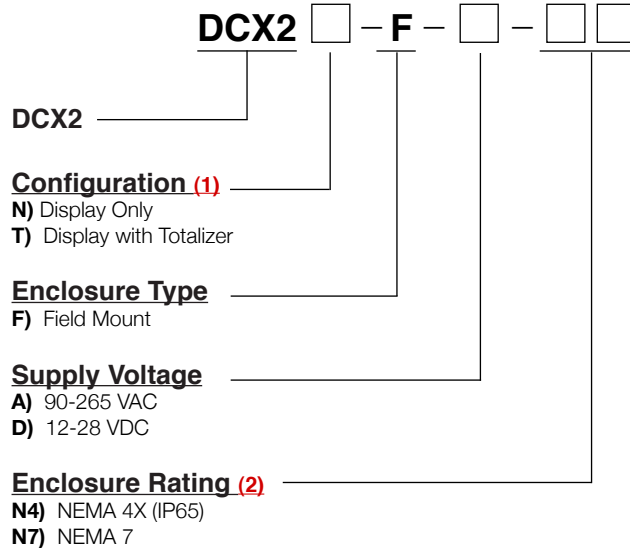
Ordering Information

FLO-CORP MODEL NUMBER BUILDER

For Assistance Call **877.FLO.LINE**

Use the diagram below, working from left to right to construct your Flo-Corp Model Number.
Simply match the category number to the corresponding box number.

Example: **DCX2T-F-A-N4** DigaCom 2000 with Totalizer, Field Mount, 90-265 VAC Supply Voltage, NEMA 4X Enclosure



Ordering Notes:

- (1) Select the best configuration based on your requirements
- (2) To order the NEMA 4 Battery Powered Enclosure, place AN4B at the end of the P/N: (ie: DCX2N-F-A-N4-AN4B) Add \$250 to price.

Specifications are subject to change without notice.

