



Flow Line Options



## FloGuard™ Adjustable Flow Switch

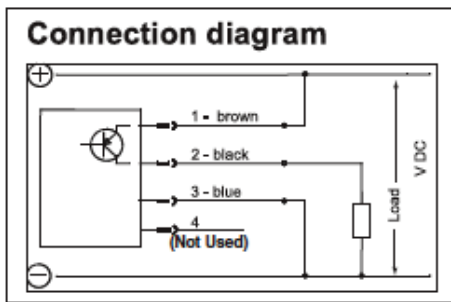
### Features & Benefits

- Automatic scaling and set point
- NO moving parts
- Learn function for flow rate
- Pushbutton re-scaling if needed
- Easy to install

### FloGuard Description

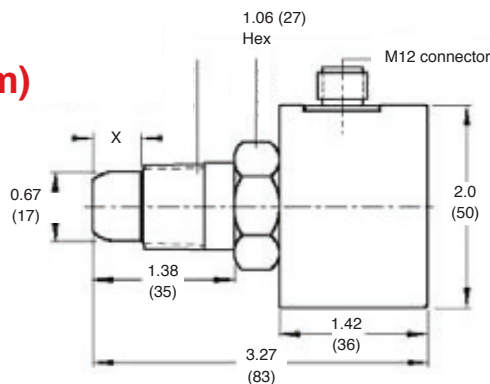
Offered in both short and long sensor lengths, this innovative flow switch is a great choice for monitoring a variety of liquid applications. FloGuard sets your present flow-rate at 100% at power up. Relative flow rate is indicated by the 7 LED lights. When the flow rate drops to 50% an alarm goes off. If you prefer, you can adjust the alarm point to fit your needs. A green output indicating LED is also included. The short sensor is indicated for use in pipe sizes ranging from 1/2" to 1 1/2" in diameter and the long sensor is recommended for pipe sizes 2" and up.

### Wiring Diagram



### Dimensions In (mm)

Sensor	X
Short	0.5" (12.5 mm)
Long	2" (50.5 mm)



### Specifications



Service	Compatible Liquids
Flow Set Point	Pre-set to 50% (field adjustable)
Process Temperature	F: -4° to 176° C: -20° to 80°
Response Time	± 25 seconds
Repeatability	1%
Hysteresis	± 10% of set point
Range	0 to 5 fps (0 to 1.5 mps)
Pressure	450 psi (30 BAR)
Enclosure Rating	NEMA 6 (IP67)
Process Connection	1/2" NPT
Housing Material	Anodized Aluminum
Sensor Material	303 Stainless Steel
Supply Voltage	20-30 VDC (short circuit protected)
Switching Current	<200 mA
Consumption	6 W max
Initial Operation	After 15 seconds
Output	Standard PNP normally open (closed with flow), optional normally closed (open with flow)
<b>Cable</b>	
Cable Jacket Material	PVC
Cable Type	4-conductor, #22 AWG
Cable Length	6.5' (2m)

*Note: Please Consult Factory for Special Requirements*

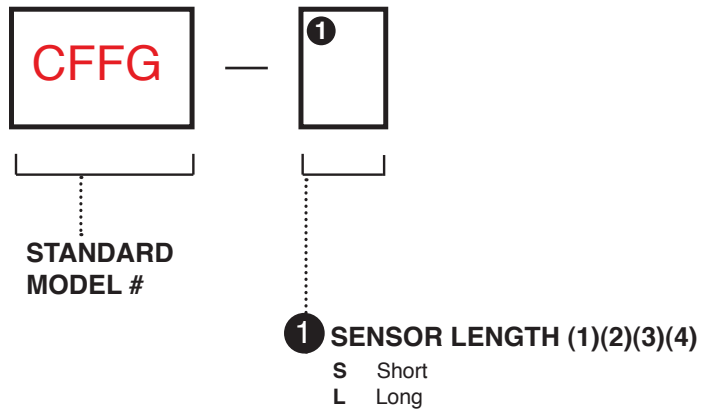
# Ordering Information

## FLO-CORP MODEL NUMBER BUILDER

For Assistance Call **330.468.0180**

Use the diagram below, working from left to right to construct your Flo-Corp Model Number. Simply match the category number to the corresponding box number.

**Example: CFFG-S** FloGuard™, Short Sensor Length



### Ordering Notes

- 1) Select the short sensor for use with pipe sizes 1/2" to 1 1/2" in diameter and the long sensor for 2" and up.
- 2) Standard relay is normally open. For optional normally closed relay, place NC at the end of the P/N: (ie: CFFG-S-NC), no additional charge
- 3) This unit comes standard with NPT (US) threaded connections. To special order BSP (Metric) connections, place BSP at the end of the P/N" (ie: CFFG-S-BSP)
- 4) Comes complete with 6.5' (2 m) pre-wired cable and manual.

*Specifications are subject to change without notice.*