



Flow Line Options



GearFlo™ Three-Wire Meter Mounted Flow Transmitter

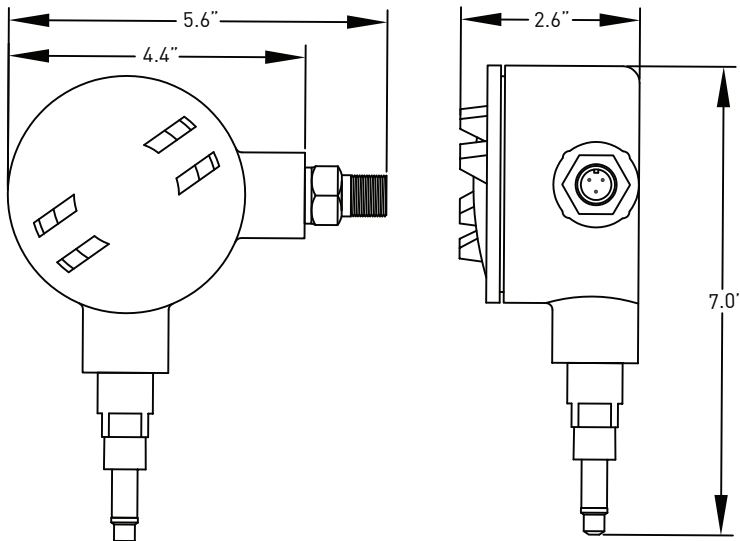
Features & Benefits

- Meter mounted, microprocessor based
- Compact, rugged and easy-to-install
- User adjustable frequency span
- DC supply voltage
- Six output options (Factory Set)
- Input frequency 5,000 Hz Max
- 3-pin electrical plus connector or 1/2" NPT conduit connection

Description

The GearFlo™ PDX3 is a three-wire, meter mounted flow transmitter that is well-suited for a variety of remote monitoring applications. Microprocessor based, the PDX3 delivers a fast and linear response. The operational frequency range is user defined and accepts frequencies up to 5,000 Hz. Output signals are available in six types to meet preferred voltage, mA, and zero offset choices.

Dimensions



Specifications

Supply Voltage	10-30 VDC*
Updated Time	1/F + 25 msec
Linearity	±0.01% of reading
Input	0.25 Hz to 5 KHz
Amplitude	1Vp-p to 40 Vp-p
Output	0-20 mA, 0-5 V, 0-10 V, 4-20mA, 1-5 V, 2-10 V
Enclosure Approvals	NEC Class I Groups C, D; Class II Groups E, F, G; UL Std. 886 - CSA Std. C22.2 No. 30

Note: Please Consult Factory for Special Requirements

**For supply voltage below 24V consult factory for max. load recommendations*



GearFlo PDX3 Transmitter Shown with GearFlo Flow Meter

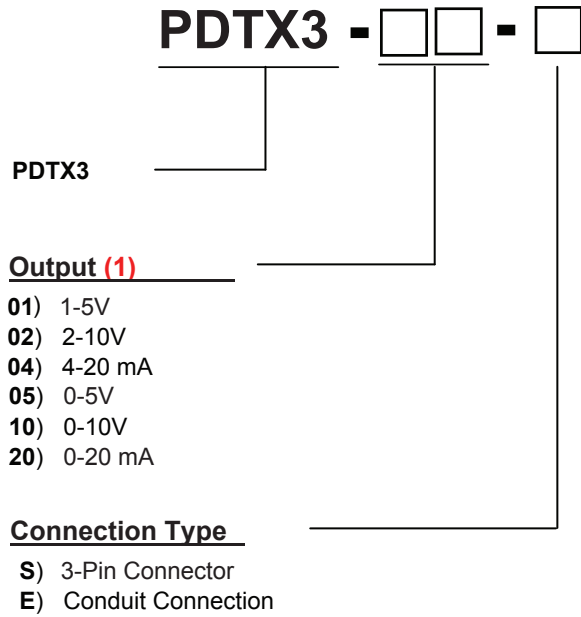


Ordering Information

FLO-CORP MODEL NUMBER BUILDER

For Assistance Call **330.468.0180**

Use the diagram below, working from left to right to construct your Flo-Corp Model Number.
Simply match the category number to the corresponding box number.



Ordering Notes

1) Select the best configuration based on your requirements.